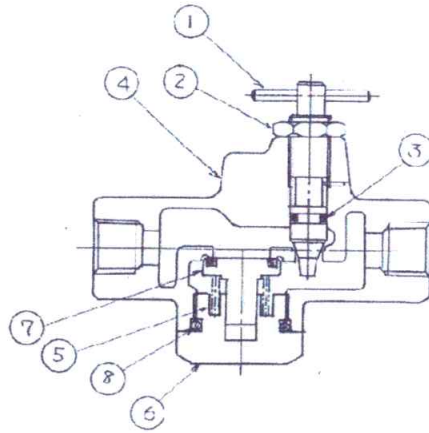


# 1. Хийн хурдасгуур /SC-304/

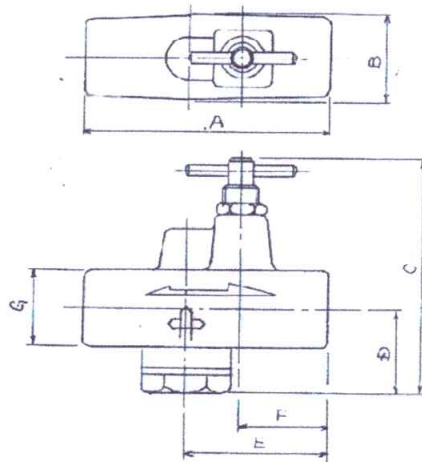
137-10013



NO.	PARTS NAME
1	NEEDLE VALVE
2	LOCK NUT
3	O-RING
4	BODY
5	SPRING
6	GUIDE PLUG
7	VALVE SEAT
8	O-RING

## SPECIFICATIONS

- INLINE MOUNTING
- FOR AIR OR NON-CORROSIVE GASES
- MAX. OPERATING PRESSURE :  $2.5 \times 10^2 \text{ kPa}$
- OPERATING TEMPERATURE : UP TO  $60^\circ\text{C}$



PIPE SIZE	TYPE	A	B	C	D	E	F	G	WEIGHT
PT 1/4	SC-302	76	25	72	26	43	29	23	0.14 kgf
PT 3/8	SC-303	102	37	95	36	57	51	32	0.35 kgf
PT 1/2	SC-304								

CHK.	A				
REVISIONS					
DATE	DEC. 2 '87				
BY	TAKASHI				

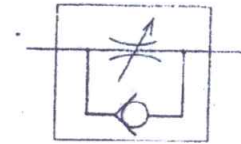
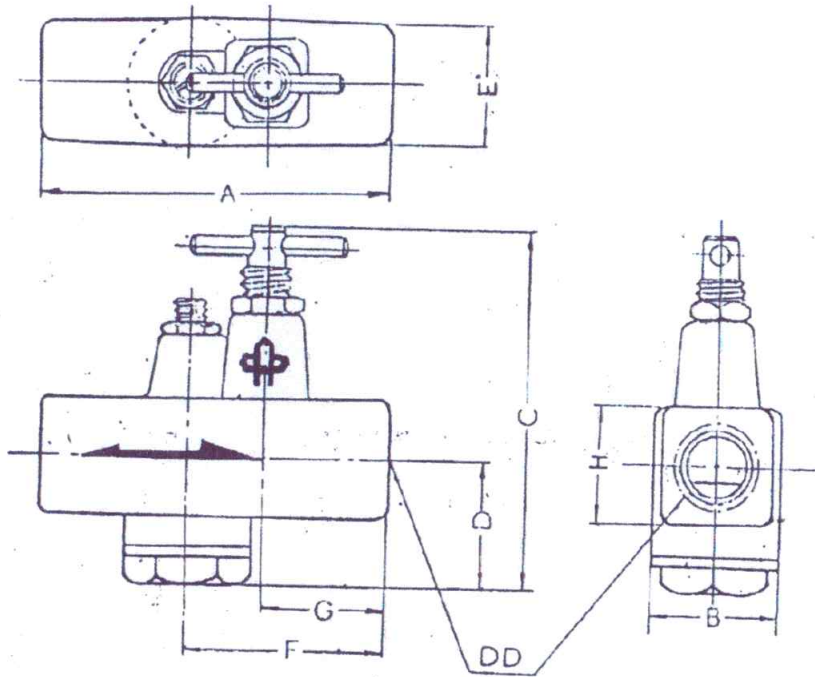
CHK	DATE	DRAW	SCALE	NAME	TYPE
A1	1/16	J. K20	#	SPEED CONTROLLER	SC-300
					DWG No. 3A-0156 A

TACO CO LTD

-20-

## 2. Хийн хурдасгуур /SC-706/

E-246



### SPECIFICATIONS

- FLUID : AIR OR NON-CORROSIVE GASES
- ⓐ • MAX. OPERATING PRESSURE :  
9.5 bar (kgf/cm<sup>2</sup>)
- OPERATING TEMPERATURE :  
5°C ~ 60°C
- CRACKING PRESSURE :  
0.5 bar (kgf/cm<sup>2</sup>)

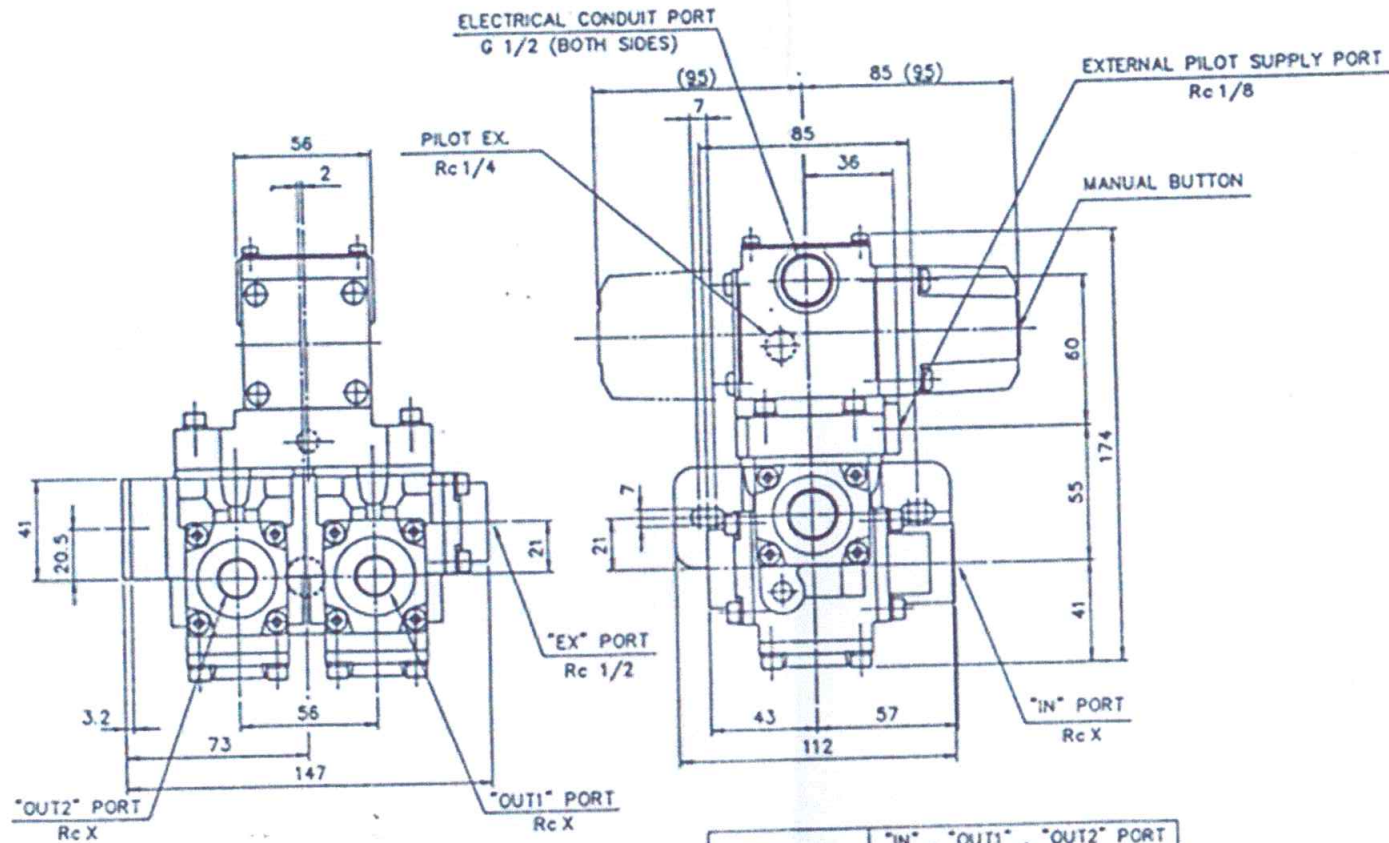
-22-

PIPE SIZE	MODEL NO.	A	B	C	D	E	F	G	H	WEIGHT	
										N	kgf
PT 3/4	SC-706	115	42	108.5	40.5	38	66	41	38	5.7	0.58
PT 1	SC-710	130	52	133	52	48	74	44	48	9.8	1
PT 1 1/4	SC-712	155	64	155	60	60	89	51	60	16.7	1.7
PT 1 1/2	SC-714	190	76	178	68	68	113	67	68	29.4	3

A 98.6.21 (3/24/2)	名称 (NAME) SPEED CONTROLLER	型式 (TYPE) SC-700 Series	品名 (PART NAME) ASSY DWG.	
<b>TACO CO. LTD.</b>		調査 検査	設計 製図	4.2.9 724 = 11
				DWG. NO. <b>4A-0123 A</b>



# Хийн хуваарилагч



MODEL No.	"IN" , "OUT1" , "OUT2" PORT Rc X
463-200-+0B0	Rc 1/4
463-300-+0B0	Rc 3/8
463-400-+0B0	Rc 1/2

DIMENSION IN ( ) IS FOR DOUBLE SOLENOID

CHG.	REVISIONS				

TACO CO. LTD.

4-PORT SOLENOID VALVE		460 SERIES	TYPE	463-+00-+0B0
CHECK	DATE	DATE	SCALE	DWG. NO.
Y. K.	11	11	1/5	3E-5531